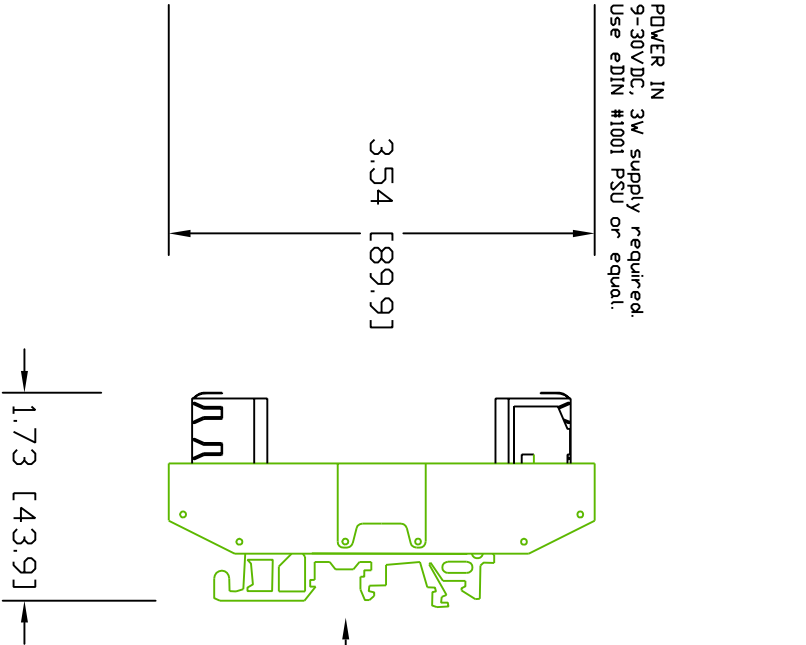
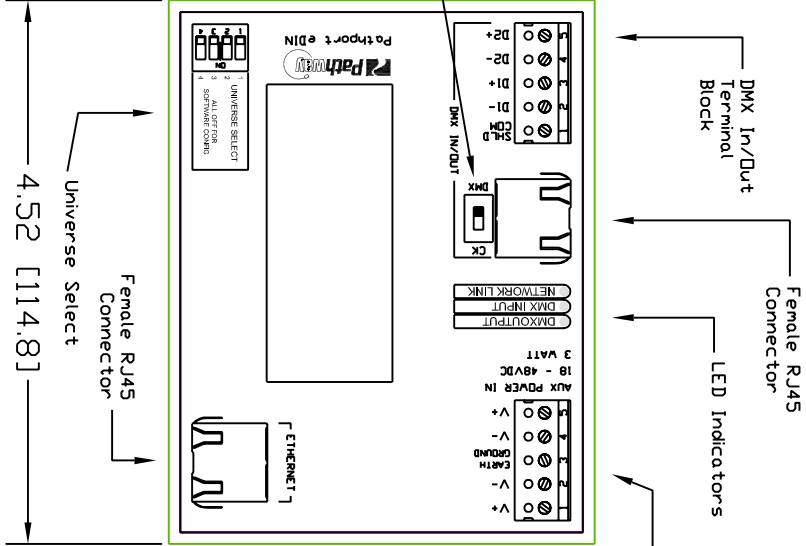


Cat5/Cat6 Pinout for DMX512-A			
DMX Signal	Cat5/6 Color & #	XLR Pin #	
Data 1 +	1 - White/Orange	2	3
Data 1 -	2 - Orange	3	2
Data 2 +	3 - White/Green	4	5
Data 2 -	6 - Green	5	4
not used	4 - Blue		
Shield/CDM	5 - White/Blue		
Shield/CDM	7 - White/Brown		
Shield/CDM	8 - Brown		1

Cat5/Cat6 Pinout for Color Kinetics			
DMX Signal	Cat5/6 Color & #	XLR Pin #	
Data 1 +	1 - White/Orange	2	3
Data 1 -	2 - Orange	3	2
Shield/CDM	3 - White/Green	4	1
not used	6 - Green		
not used	4 - Blue		
not used	5 - White/Blue		
not used	7 - White/Brown		
not used	8 - Brown		

DMX CONNECTION LEGEND

DMX Signal	Pin
SHL D/CDM	1
D1-	2
D1+	3
D2-	N/C
D2+	N/C
	5



Fastening mechanism designed for 35 x 7.5mm DIN rail

1011 - EDIN PATHPORT UNO

FILENAME: 1011-EDIN_UNO.dwg

PART NUMBER: 1011



Pathway Connectivity Inc.
 103 Inglewood Plaza, 1439 17th Avenue SE
 Calgary, Alberta, Canada T2C 1A9
 Phone: +1(403)243-8110 Fax: +1(403)287-1281
<http://www.pathwayconnect.com>

DRAWN BY: RS Armstrong
 DATE: April 2008
 CHECKED: DAVID HIGGINS
 SCALE: NTS
 UNITS: INCHES (mm)

REV
A