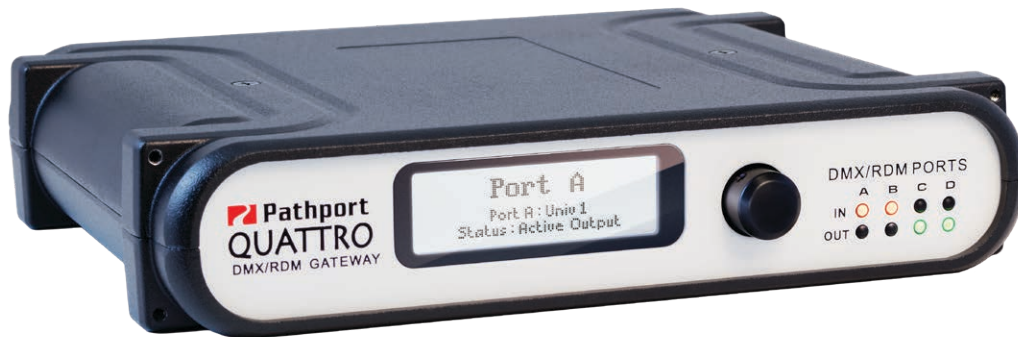


#6311/6312/6316

PATHPORT QUATTRO



PRODUCT OVERVIEW

A compact four-port version of our popular DMX-over-Ethernet management gateways. Power-over-Ethernet operation makes it ideal for truss-mounted locations, while silent, fanless operation allows it to be placed immediately next to the lighting console, no matter where the console is located.

The encoder knob/LCD screen interface provides front panel access to all common configuration parameters. Most users won't need a computer for configuration.

FEATURES

- Four DMX512 ports, individually configurable
- 10/100 Mbps Ethernet port
- Front panel UI supports configuration of IP settings, port direction, basic patching and more
- Route DMX on either a universe or channel-by-channel basis
- Map up to eight sources to each output channel, with merge and/or priority options user-set for each source
- Supports the following Ethernet protocols:
 - E1.31 streaming ACN (sACN)
 - Art-Net
 - Pathport Protocol
 - Shownet
- Acts as E1.20 RDM proxy controller, when used with freely downloadable Pathscape software
- DMX output speed and signal loss behavior user-selectable
- Silent, fanless operation
- Compact size - two gateways fit side-by-side in 1RU of space
- Rackmount ears included
- Operates on PoE (Power-over-Ethernet) or auxiliary 24-48VDC power supply (accessory)
- Contact closure input (features added in future firmware updates)

SPECIFICATIONS

- PoE Class 2 device
- 8W maximum power consumption
- Auxiliary input voltage 24-48VDC
- 250V protection on all ports
- 1000V isolation between ports
- Operating Conditions: 14°F-122°F (-10°C to 50°C); 5-95% relative humidity, non-condensing

STANDARDS COMPLIANCE

- USITT DMX512 - 1990 / ANSI E1.11 DMX512-A R2013
- ANSI E1.20 RDM - Remote Device Management
- IEEE 802.3af Power-over-Ethernet
- CE
- RoHS 2011/65/EU
- California Title 1.81.26, Security of Connected Devices
- Class 2 Low Voltage

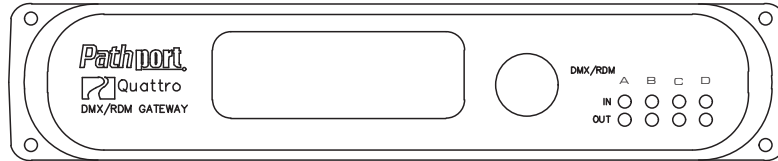
WEIGHTS AND DIMENSIONS

- 2.3 lbs (1 kg)
- 8.6"W x 7"L x 1.7"H (218mm x 177mm x 43mm)

INCLUDED FURNISHINGS

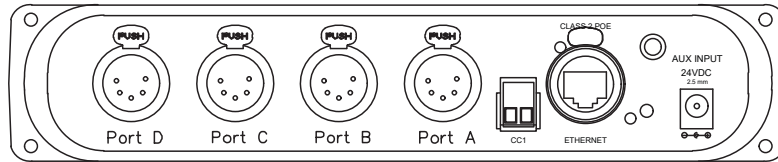
- Installation/Operations manual
- Rackmount Ears

FRONT PANEL

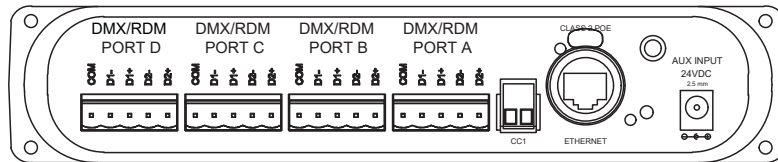


ALL MODELS

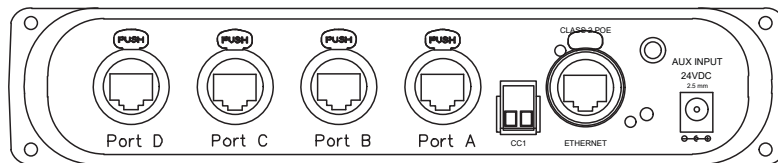
REAR PANEL



MODEL #6321

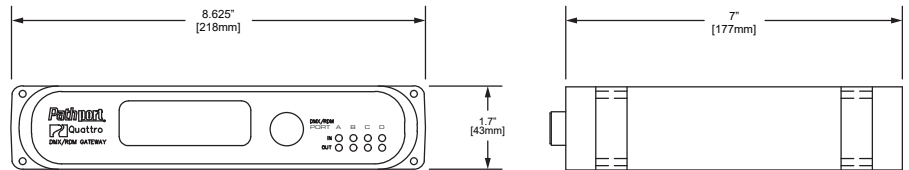


MODEL #6322



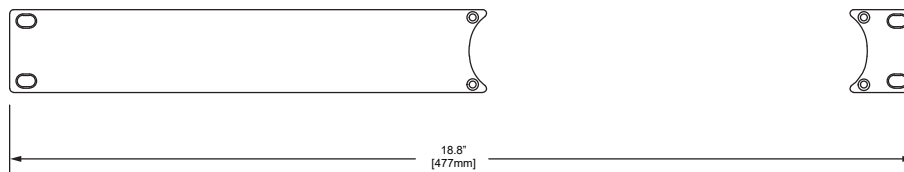
MODEL #6326

DIMENSIONS

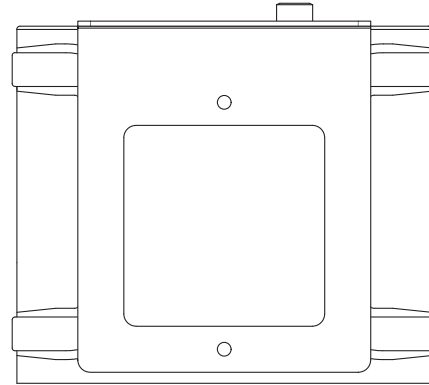
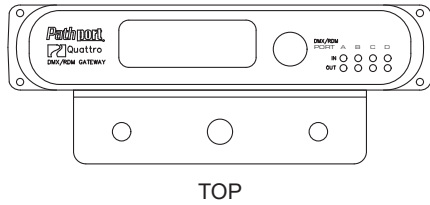


FRONT

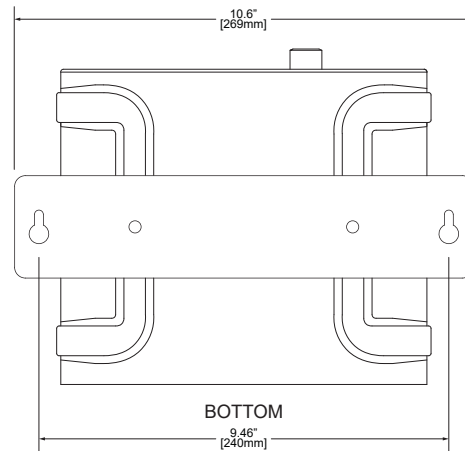
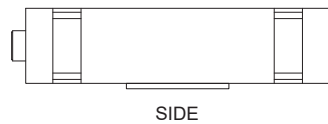
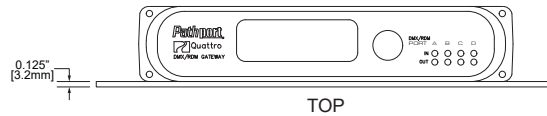
SIDE



TRUSS MOUNT ACCESSORY - P/N 9004



WALL MOUNT ACCESSORY - P/N 9005

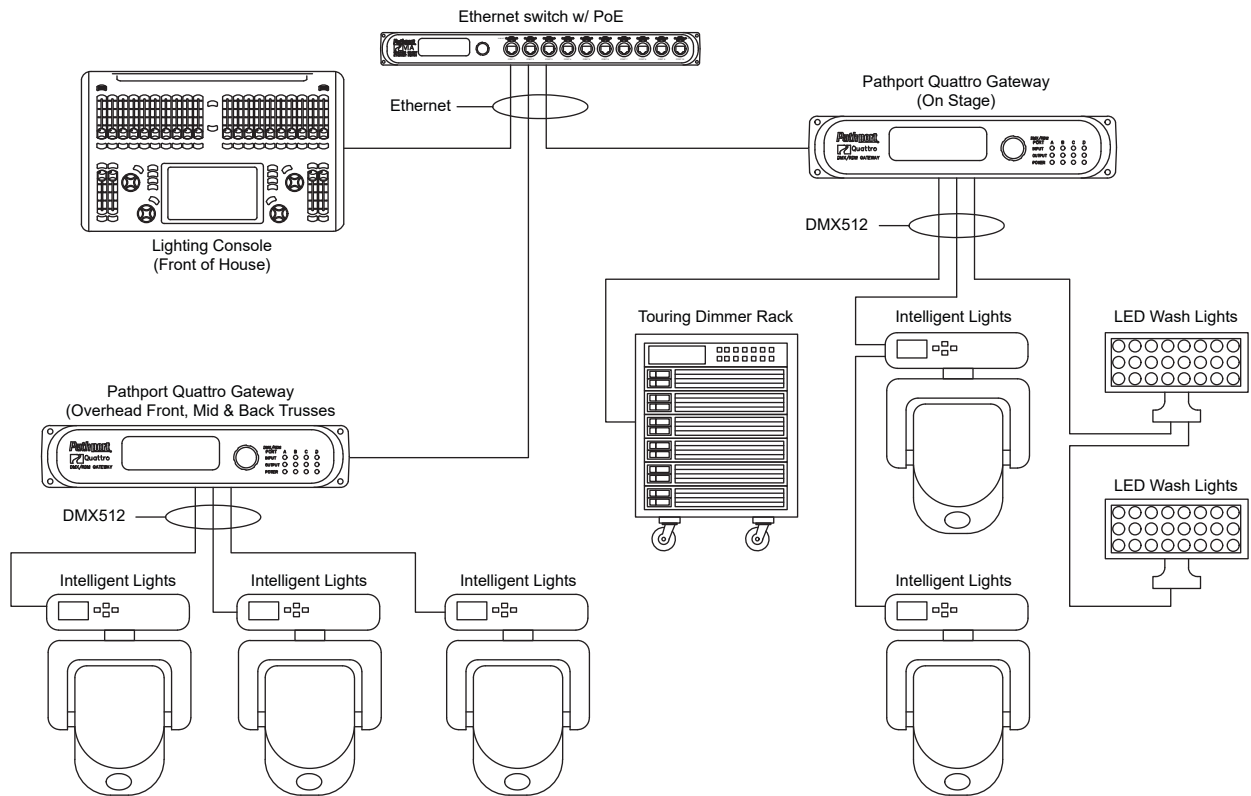


DMX PIN OUTS

	XLR PIN #	PURPOSE
DMX512/RDM PINOUT: FOR SHIELDED TWISTED PAIR	1	Shield
	2	Data - (complement)
	3	Data + (true)
	4	Not Used
	5	Not Used

	XLR PIN #	CAT5/6 Pin # and Color	PURPOSE
DMX512/RDM PINOUT: FOR CAT 5/6	3	1 - White/Orange	Data 1 + (true)
	2	2 - Orange	Data 1 - (complement)
	5	3 - White/Green	Not Used
	4	6 - Green	Not Used
	-	4 - Blue	Not Used - do not connect
	-	5 - White/Blue	Not Used - do not connect
	1	7 - White/Brown	Shield/COM
	1	8 - Brown	Shield/COM

APPLICATION RISER



ORDERING INFORMATION

PART #	DESCRIPTION
6321	Pathport QUATTRO 4-Port Gateway, Rear XLR5F
6322	Pathport QUATTRO 4-Port Gateway, Rear Terminal
6326	Pathport QUATTRO 4-Port Gateway, Rear RJ45 connectors
6321-24	Tabletop Pathport QUATTRO 4-Port Gateway, Rear XLR5F with External PSU
ACCESSORIES	
9004	Truss Mount Kit
9005	Wall Mount Kit
00-2095	Adapter, 5-position IDC to Phoenix-style connector, two ports. For use with model 6322
6941	Front XLR Connector Kit, QUATTRO, XLR5M Input (x4)
6942	Front XLR Connector Kit, QUATTRO, XLR5F Output (x4)
6943	Front XLR Connector Kit, QUATTRO, XLR5M (x2), XLR5F (x2)
1001-024-24-WW	24 Watt, 24VDC Auxiliary Power Supply, Wallwart (Uno, Quattro, Cognito)

Please note all models using RJ45 etherCON connectors for DMX ports are custom-built and are not returnable.