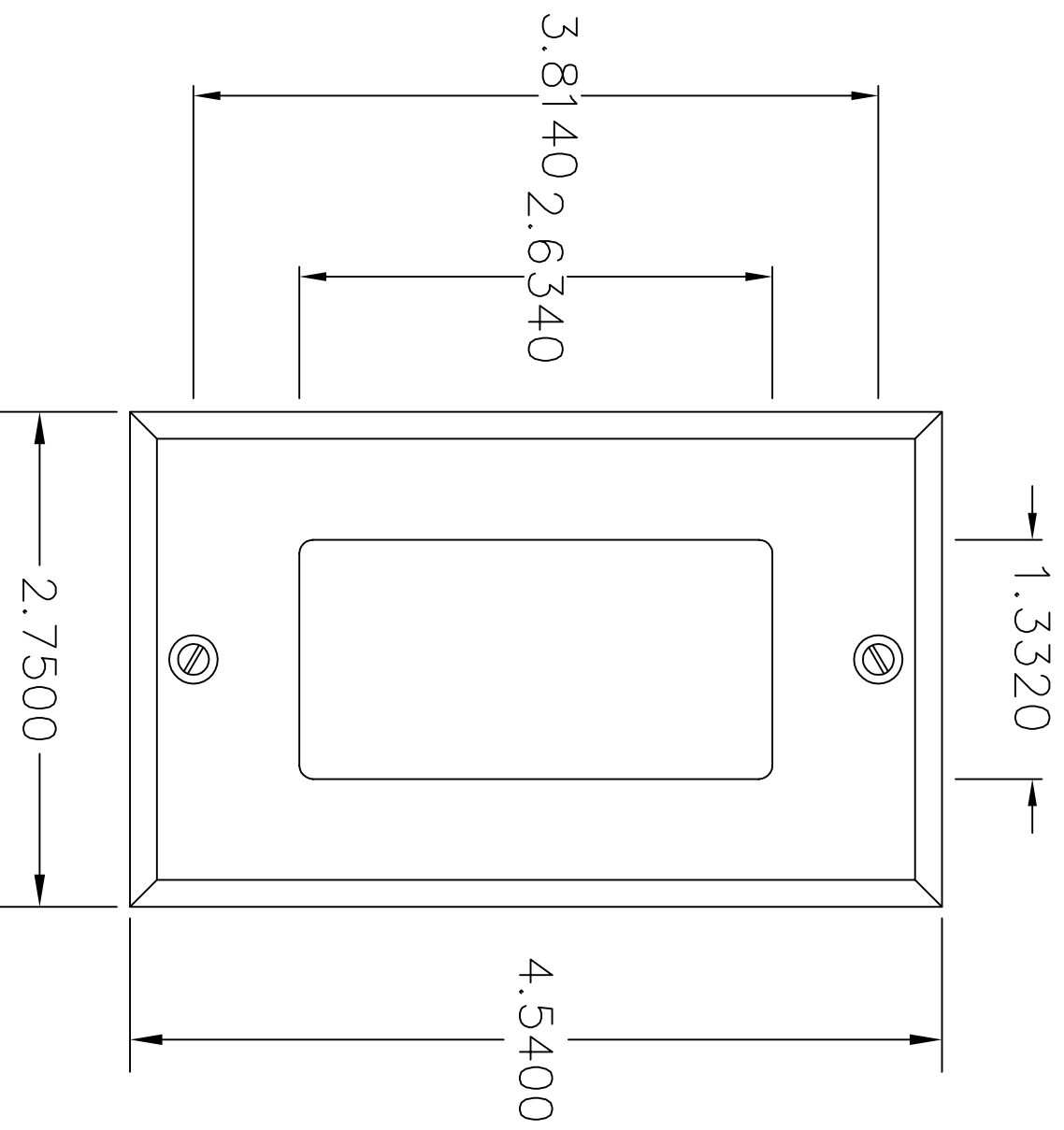


Notes:
 Available in the following colors:
 SS—Stainless Steel
 BL—Black
 WW—White



Single Gang Faceplate

FILENAME: 500x_51xx (REV D).DWG

PART NUMBER: 5001



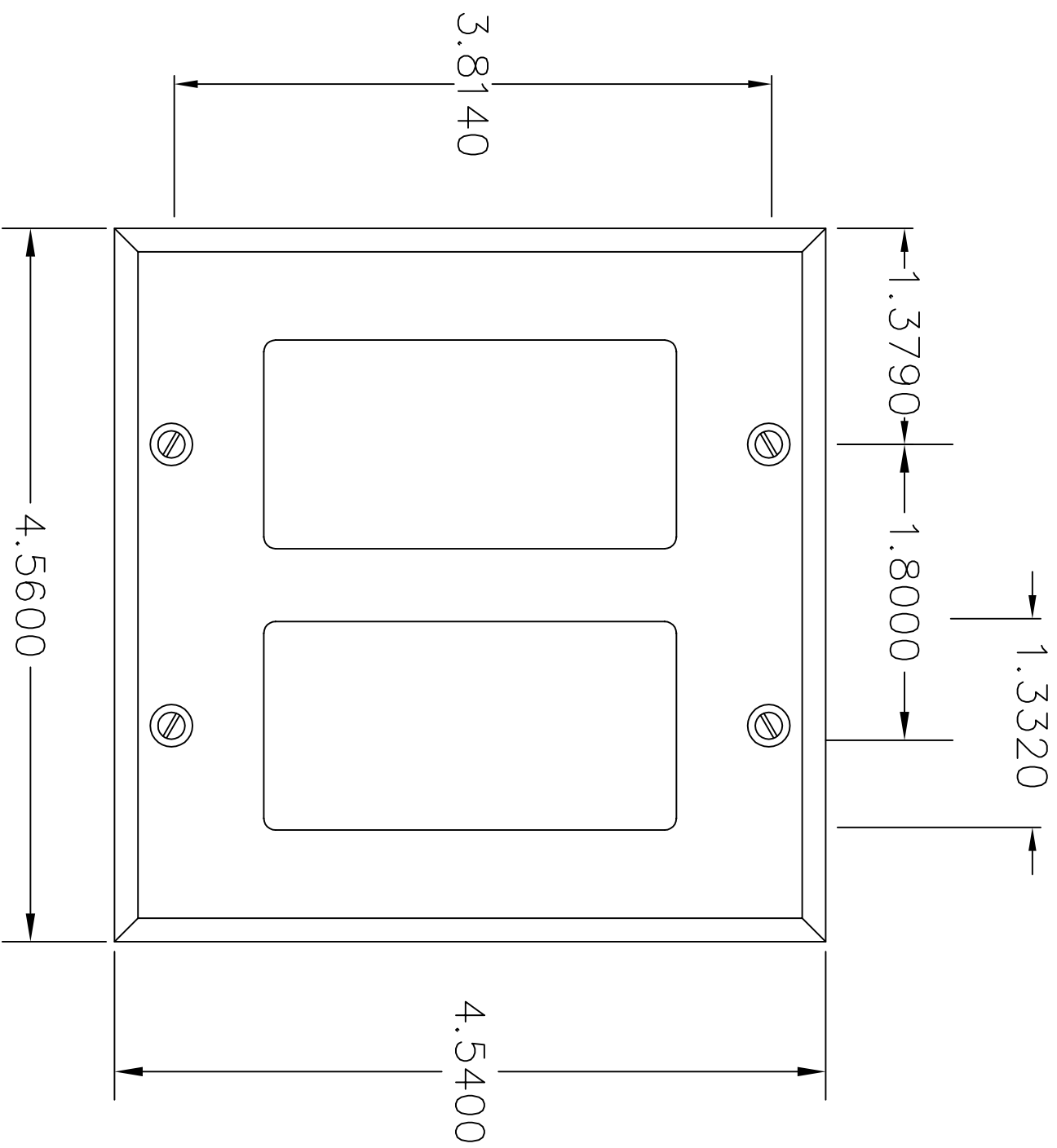
Pathway
 Connectivity Solutions

Pathway Connectivity
 103 Inglewood Plaza, 1439 17th Avenue SE
 Calgary, Alberta, Canada T2G 1J9
 Phone: +(403)243-8110 Fax: +(403)287-1281
<http://www.pathwayconnect.com>

DRAWN BY: BRIAN F. EVANS
 DATE: 12/7/2015
 CHECKED: ROBERT ARMSTRONG
 SCALE: NTS
 UNITS: INCHES



Notes:
 Available in the following colors:
 SS—Stainless Steel
 BL—Black
 WW—White



Double Gang Faceplate

FILENAME: 500x_51xx (REV D).DWG

PART NUMBER: 5002

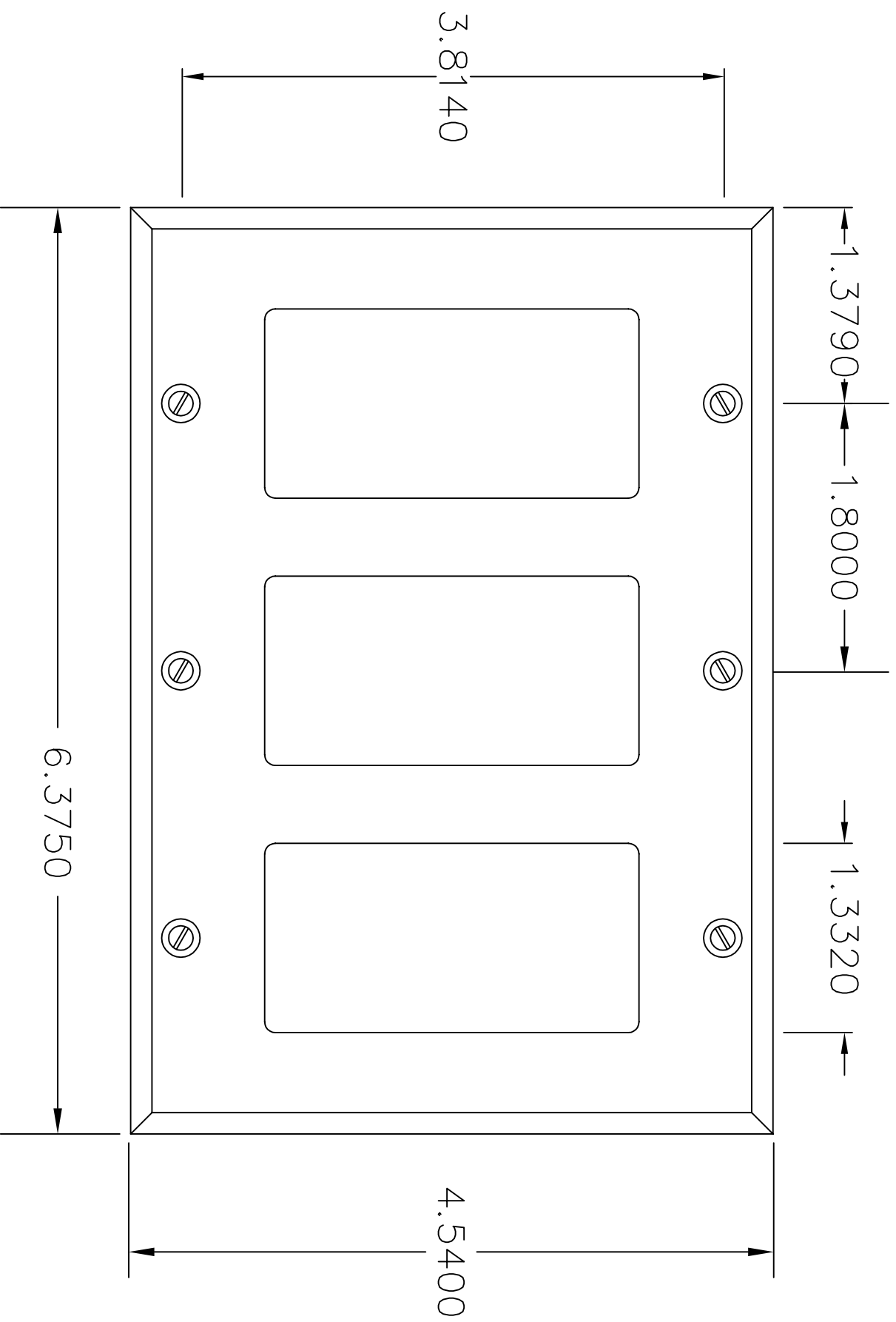


Pathway Connectivity
 103 Inglewood Plaza, 1439 17th Avenue SE
 Calgary, Alberta, Canada T2G 1J9
 Phone: +1(403)243-8110 Fax: +1(403)287-1281
<http://www.pathwayconnect.com>

DRAWN BY: BRIAN F. EVANS
 DATE: 12/7/2015
 CHECKED: ROBERT ARMSTRONG
 SCALE: NTS
 UNITS: INCHES



Notes:
 Available in the following colors:
 SS—Stainless Steel
 BL—Black
 WW—White



Three Gang Faceplate

FILENAME: 500x_51xx (REV D).DWG

PART NUMBER: 5003

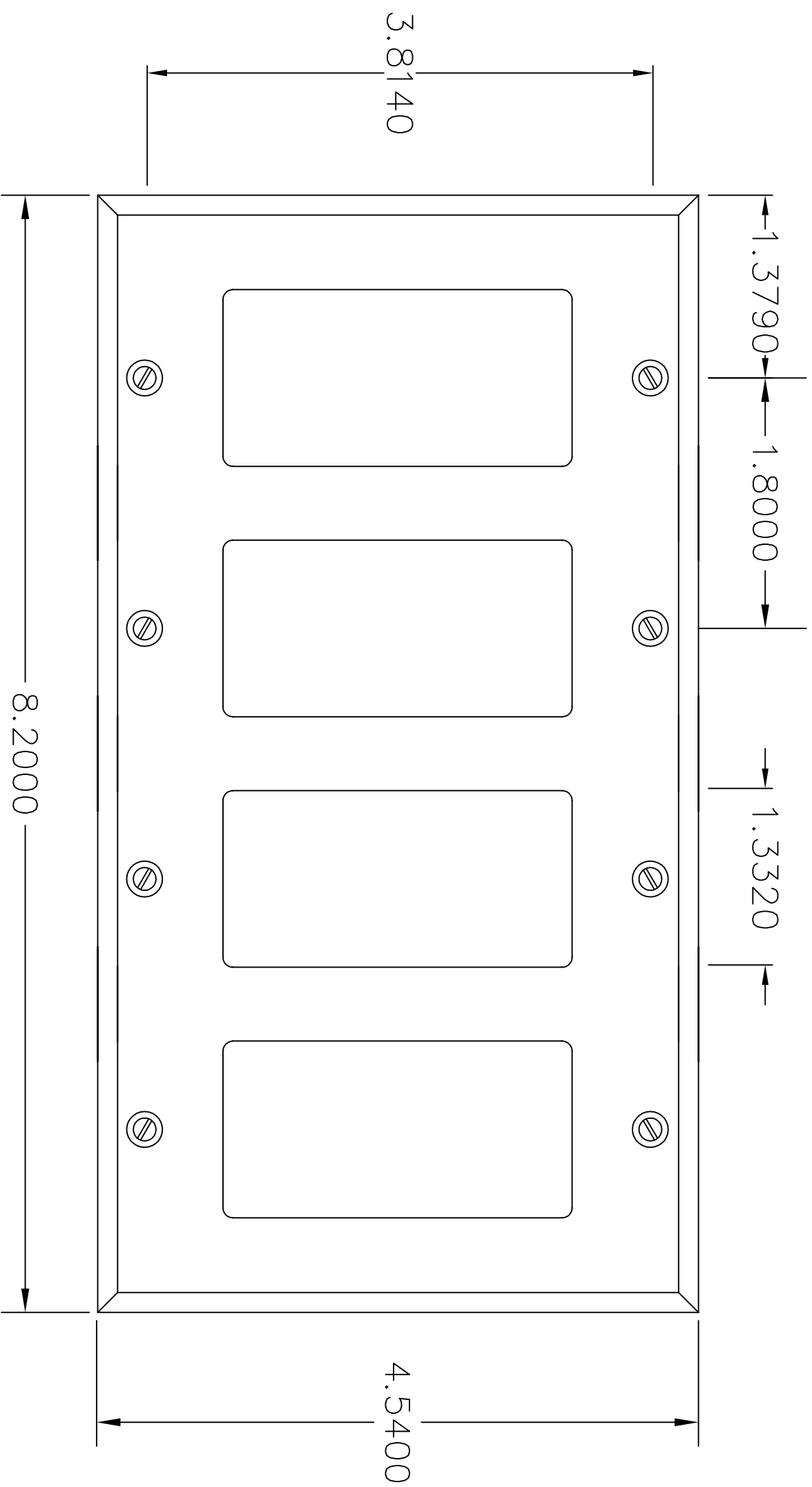


Pathway Connectivity
 103 Inglewood Plaza, 1439 17th Avenue SE
 Calgary, Alberta, Canada T2G 1J9
 Phone: +1(403)243-8110 Fax: +1(403)287-1281
<http://www.pathwayconnect.com>

DRAWN BY: BRIAN F. EVANS
 DATE: 12/7/2015
 CHECKED: ROBERT ARMSTRONG
 SCALE: NTS
 UNITS: INCHES



Notes:
Available in the following colors:
SS—Stainless Steel
BL—Black
WW—White



Four Gang Faceplate

FILENAME: 500x_51xx (REV D).DWG

PART NUMBER: 5004

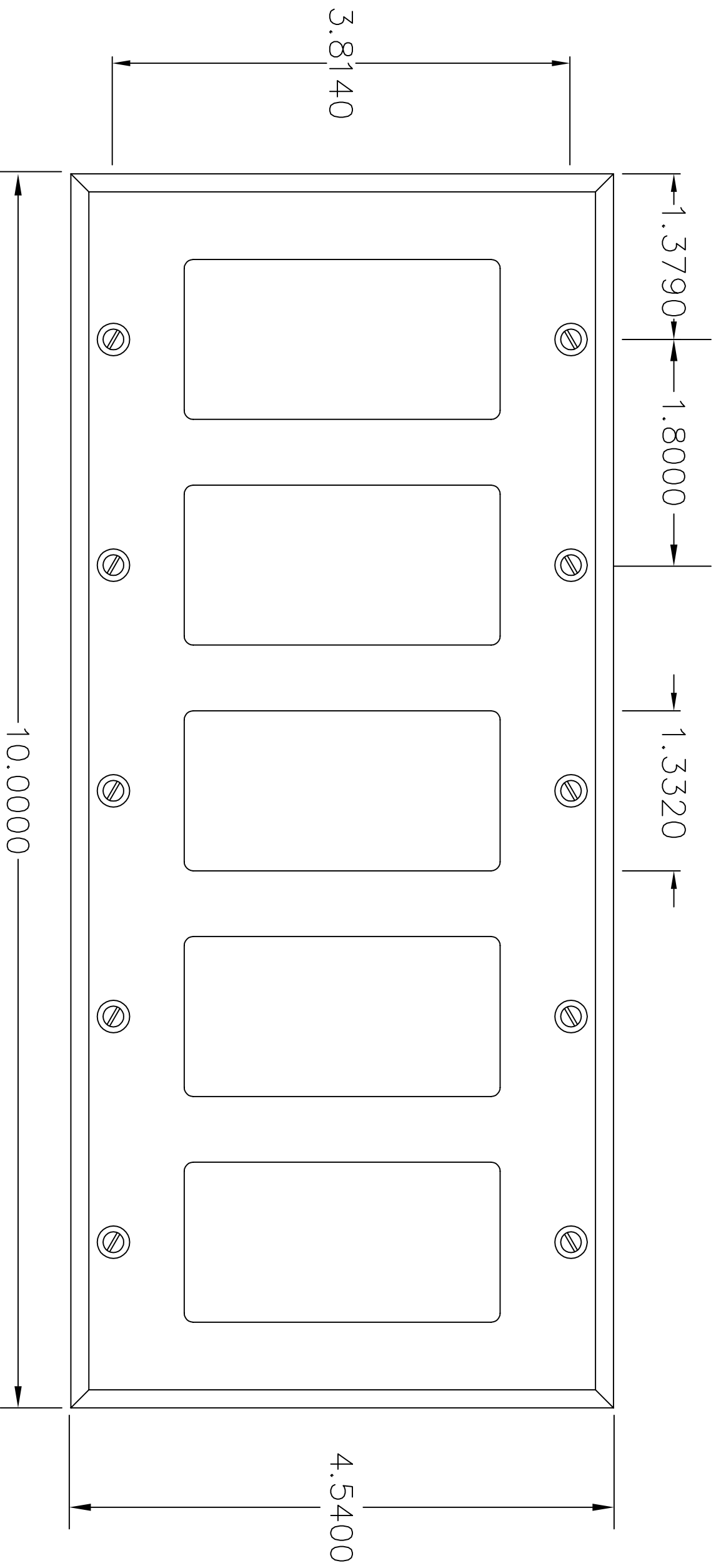


Pathway Connectivity
103 Inglewood Plaza, 1439 17th Avenue SE
Calgary, Alberta, Canada T2G 1J9
Phone: +1(403)243-8110 Fax: +1(403)287-1281
<http://www.pathwayconnect.com>

DRAWN BY: BRIAN F. EVANS
DATE: 12/7/2015
CHECKED: ROBERT ARMSTRONG
SCALE: NTS
UNITS: INCHES



Notes:
 Available in the following colors:
 SS—Stainless Steel
 BL—Black
 WW—White



Five Gang Faceplate

FILENAME: 500x_51xx (REV D).DWG

PART NUMBER: 5005

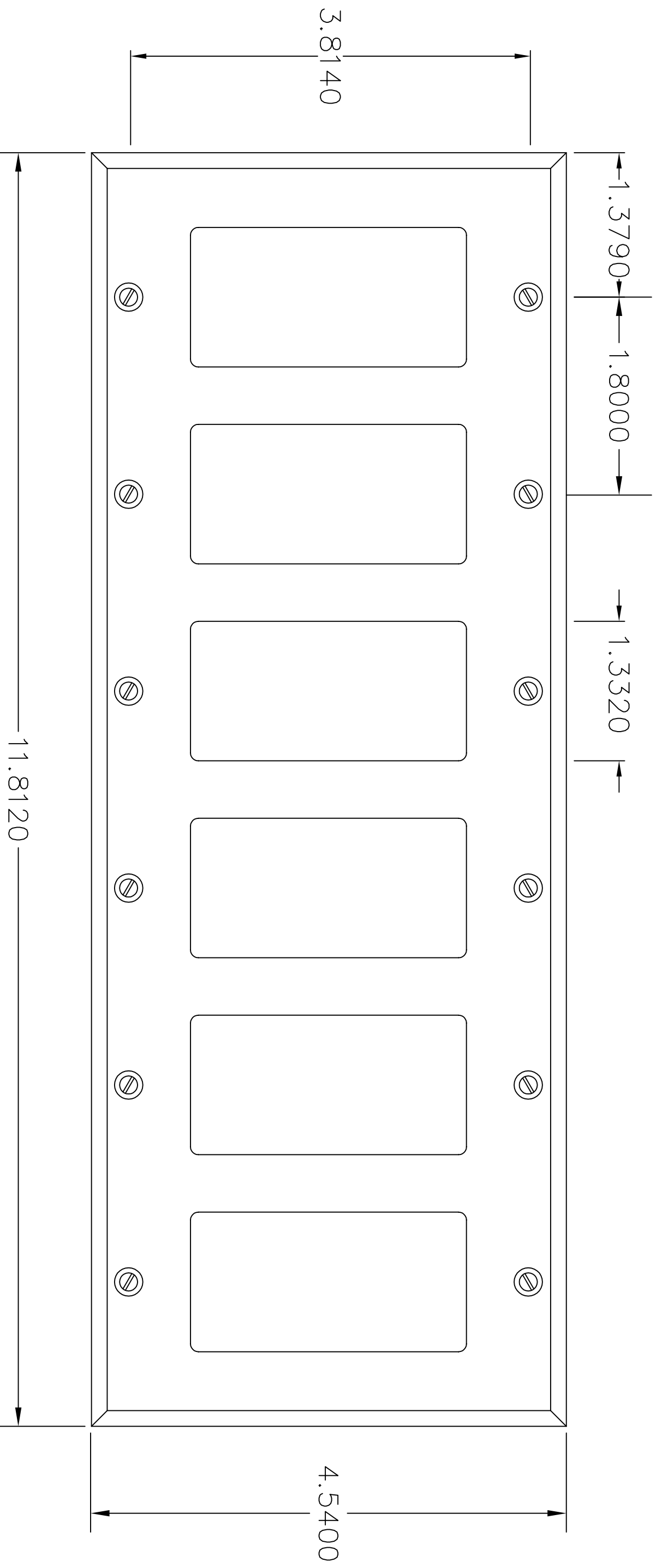


Pathway Connectivity
 103 Inglewood Plaza, 1439 17th Avenue SE
 Calgary, Alberta, Canada T2G 1J9
 Phone: +1(403)243-8110 Fax: +1(403)287-1281
<http://www.pathwayconnect.com>

DRAWN BY: BRIAN F. EVANS
 DATE: 12/7/2015
 CHECKED: ROBERT ARMSTRONG
 SCALE: NTS
 UNITS: INCHES



Notes:
Available in the following colors:
SS—Stainless Steel
BL—Black
WW—White



Six Gang Faceplate

FILENAME: 500x_51xx (REV D).DWG

PART NUMBER: 5006



Pathway Connectivity
103 Inglewood Plaza, 1439 17th Avenue SE
Calgary, Alberta, Canada T2G 1J9
Phone: +1(403)243-8110 Fax: +1(403)287-1281
<http://www.pathwayconnect.com>

DRAWN BY: BRIAN F. EVANS
DATE: 12/7/2015
CHECKED: ROBERT ARMSTRONG
SCALE: NTS
UNITS: INCHES

