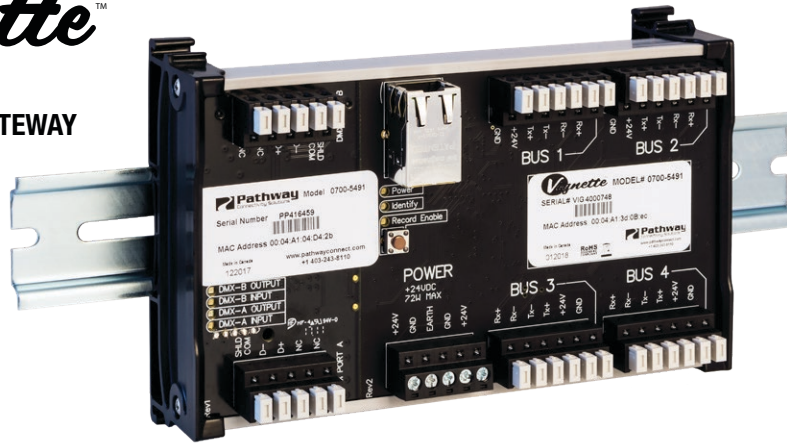




**VIGNETTE™ 485
ARCHITECTURAL GATEWAY**



PRODUCT OVERVIEW

The Vignette Gateway provides connectivity for Vignette 485 button and slider stations using a multi-drop serial data bus for recording and recall of lighting snapshots.

The Gateway has four separate buses, each accommodating up to 16 devices (button or slider inserts). This device comes in a variety of configurations with or without buttons, auxiliary contact closures, DMX In and Thru/Out and Ethernet connectivity.

FEATURES

- Power and network connectivity for Vignette slider and button inserts, with optional DMX512 ports and Contact Closures
- Configure up to four groupings of presets allows one Gateway to achieve asynchronous fades across four rooms
- Out of the box DMX512 Snapshot record and playback for multiple rooms
- Allows using legacy multi-drop wiring where PoE home-run is not feasible
- Use third-party buttons to trigger snapshot replay
- Use Pathscape software to configure sACN output universes, sACN priorities, crossfade timing and the function of the two optional DMX512 ports
- DMX512 outputs will crossfade between presets and incoming source when present. No sudden blackouts
- Models 700-5491 and 700-5492 have integrated DMX512 In and Out/Thru ports that can crossfade on priority
- All models can use Pathport Gateways to record and playback up to four universes of DMX512
- Compression fit and IDC terminal connections for DMX512 connections and station buses

SPECIFICATIONS

- Class 2 (24 VDC over Cat5 or six-wire cable)
- 4" high and 4.5", 6.25" and 8" wide depending on model
- Gateway requires 10W at 24VDC plus 1W per insert on the 4-port station bus network
- Operating Conditions: 14°F-118°F (-10°C to 48°C); 5-95% relative humidity, non-condensing

Cabling:

PoE: Standard Cat5/5e/6 Ethernet, 100m max.

RS485: Cat5/5e/6 Cable, 150m max. or retrofit onto existing 3-pair Belden 9773 or equivalent, 300m max.

STANDARDS COMPLIANCE

- ANSI E1.11 DMX512-A
- ANSI E1.31 streaming ACN
- IEEE 802.3 Ethernet
- RoHS 2011/65/EU
- CE
- California Title 1.81.26, Security of Connected Devices

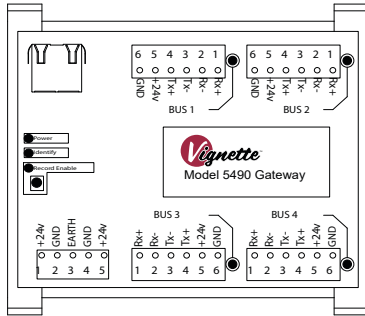
WEIGHTS AND DIMENSIONS

- 1.0 lbs (0.45 kg) [Model 0700-5491]
- 4"H x 2"D x 4.5"/6.25"/8"W (102mm x 51mm x 114/159/209mm)

INCLUDED FURNISHINGS

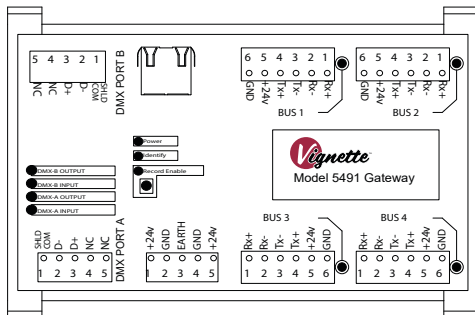
- DIN tray (housing) with end caps
- 11" (28cm) x 35mm DIN rail
- Terminal blocks and IDC connectors

MODELS



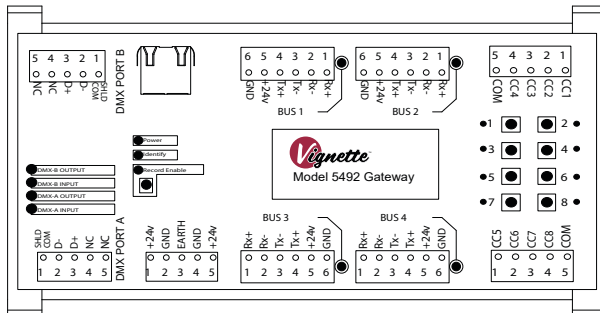
0700-5490 Vignette Gateway

- Four buses, each capable of powering 16 inserts, 64 total (a 3-gang button station is 3 inserts)
- Zero config out of the box operation
- Ethernet for configuration and sACN capture and playback
- Record Enable button for Press-and-Hold to record a snapshot on any button when used with Vignette



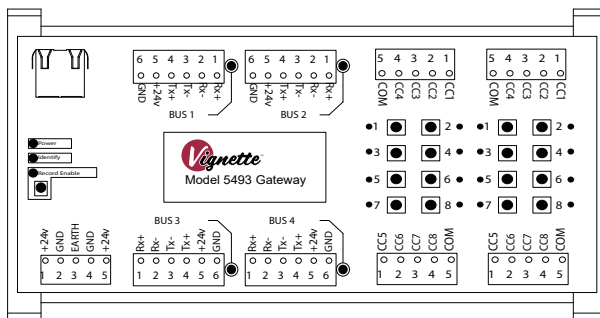
0700-5491 Vignette Gateway with 2 DMX Ports

- Four buses, each capable of powering 16 inserts (64 total)
- Two DMX ports can be configured as In for capture, Out for Playback of snapshots, or In and Out/Thru for priority or HTP of Vignette snapshots and theatrical control
- Ethernet configuration using Pathscope and for sACN capture and playback



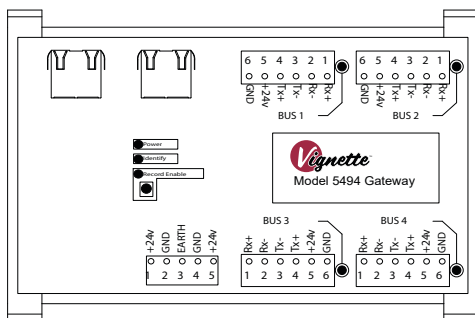
0700-5492 Vignette Gateway with 2 DMX Ports and 8 Contact Closures/Buttons

- Four buses capable of powering 64 Vignette inserts
- DMX and/or sACN capture and playback
- Stand-alone mode with 8 dedicated momentary buttons and LED indicators allows the 5492 be used without Vignette stations on the bus
- Eight contact closure inputs for A/V and third-party control



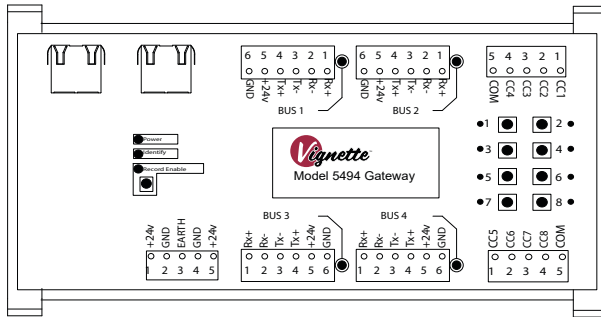
0700-5493 Vignette Gateway with 16 Contact Closures/Buttons

- Four buses capable of powering 64 Vignette inserts
- Local test buttons and LEDs
- Suitable A/V integration or third-party push buttons with or without without Vignette stations
- DMX512 and Bus connectors come with IDC and Compression fit connectors



0700-5494 Vignette Gateway with 2 Ethernet Ports

- Two Ethernet ports reduce port consumption on switches
- Works without a switch when paired with 6824 eDIN Pathport gateway for recording and playing back 2048 DMX slots
- 6824 can be configured to HTP two universes between theatrical console and Vignette snapshots or prioritize show controller over house-light control

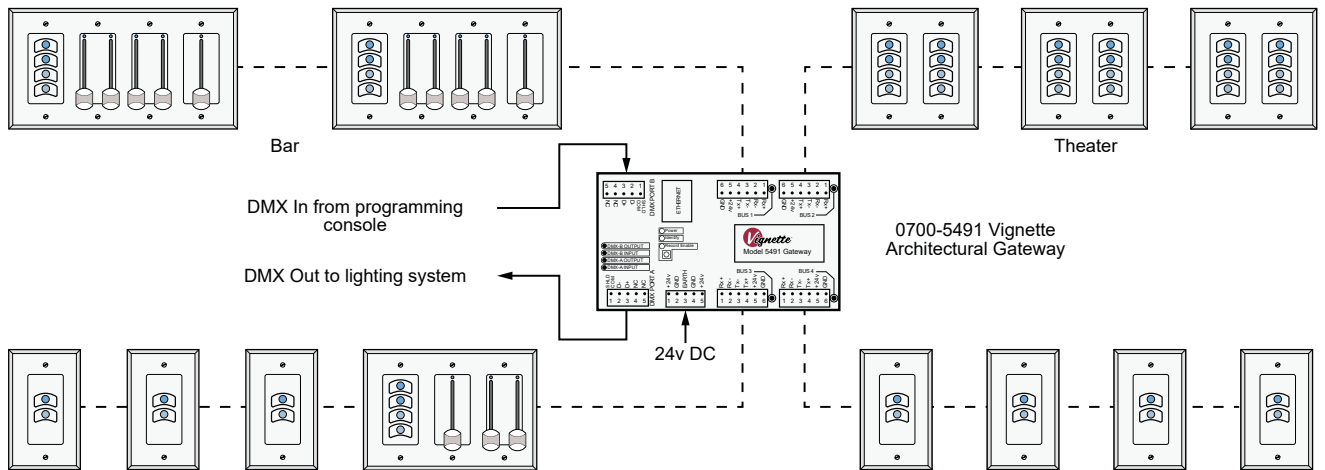


0700-5495 Vignette Gateway with 2 Ethernet Ports and 8 Contact Closures/Buttons

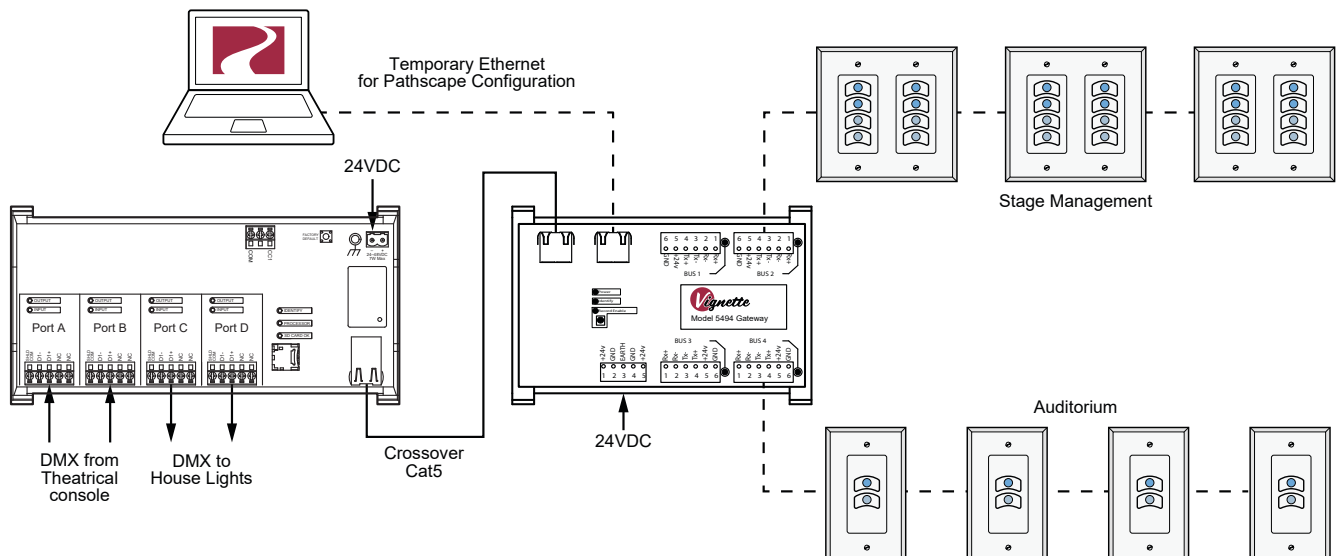
- Two Ethernet ports reduce port consumption on switches
- Works without a switch when paired with 6824 eDIN Pathport gateway for recording and playing back 2048 DMX slots
- 6824 can be configured to HTP two universes between theatrical console and Vignette snapshots or prioritize show controller over house-light control
- Stand-alone mode with 8 dedicated momentary buttons and LED indicators allows the 5495 to be used without Vignette stations on the bus
- Eight contact closure inputs for A/V and third-party control

APPLICATION EXAMPLE

0700-5491 Vignette Snapshot across four rooms



0700-5494 & eDIN 6824 for two universe Priority/Merge system



ORDERING INFORMATION

PART #	DESCRIPTION
0700-5490	Vignette 485 Architectural Gateway, eDIN
0700-5491	Vignette 485 Architectural Gateway with 2 DMX512, eDIN
0700-5492	Vignette 485 Architectural Gateway with 2 DMX512 and 8 Contact Closures, eDIN
0700-5493	Vignette 485 Architectural Gateway with 16 Contact Closures, eDIN
0700-5494	Vignette 485 Architectural Gateway with second Ethernet, eDIN
0700-5495	Vignette 485 Architectural Gateway w 2 Ethernet and 8 Contacts, eDIN (8")

RELATED PRODUCTS

RS485 Master Inserts

0700-5431 BL/WH	Vignette 485 - Two Button Master Insert, Black or White
0700-5432 BL/WH	Vignette 485 - Four Button Master Insert, Black or White
0700-5433 BL/WH	Vignette 485 - One Slider Master Insert, Black or White
0700-5434 BL/WH	Vignette 485 - Two Slider Master Insert, Black or White
0700-5435 BL/WH	Vignette 485 - Three Slider Master Insert, Black or White

Local Inserts

0700-5901 BL/WH	Two Button Local Insert, Black or White
0700-5902 BL/WH	Four Button Local Insert, Black or White
0700-5903 BL/WH	One Slider Local Insert, Black or White
0700-5904 BL/WH	Two Slider Local Insert, Black or White
0700-5905 BL/WH	Three Slider Local Insert, Black or White

VIA Ethernet Switches

6750	VIA12 Gigabit Ethernet Switch, 12 Port
6750-P	VIA12 Gigabit Ethernet Switch, 12 Port, 100W PoE on-board
6752-P	VIA12 TE Gigabit Ethernet Switch, 12 Port, opticalCON Duo, 100W PoE on-board
6754-P	VIA12 TE Gigabit Ethernet Switch, 12 Port, opticalCON Quad, 100W PoE on-board

ACCESSORIES

Power Supplies

1001-050-24-DIN	50 Watt, 24VDC Power Supply, DIN-Mountable
1001-100-24-DIN	100 Watt, 24VDC Power Supply, DIN-Mountable
1001-100-48-DIN	100 Watt, 48VDC Power Supply, DIN-Mountable
1001-DC-10	48VDC to 24VDC Converter, 10 Watts, DIN-Mountable
1001-DC-20	48VDC to 24VDC Converter, 20 Watts, DIN-Mountable
2100-DIN	eDIN RJ45 Patch (qty 4) (3.5" of rail for 4)